



# CF1108-03g SERIES PHOTOVOLTAIC JUNCTION BOX



- Junction box for electric connection of bus ribbons on crystalline modules
- The junction box is fixed to the panel with silicone
- Optimized structure design for enhanced heat dissipation, and effective anti-aging performance
- Angled cable connection with junction box to prevent stress damage
- Using surface mounting diodes
- Solution for cost effectiveness and top performance

## SYSTEM CERTIFICATES

ISO 9001:2008  
ISO 14001:2004  
OHSAS 18001:2007

## PRODUCT CERTIFICATES

UL 3703: CSA / UL  
EN 50548:2011 + A1 / TÜV



 CHANGSHU FRIENDS CONNECTOR TECHNOLOGY CO., LTD.



### ADDRESS

2 Zhongtian Road, Changkun Industrial Park,  
Changshu, Jiangsu, China



### CONTACT

Tel: +86 512-52503618 / 52477866  
Fax: +86 512-52477355  
Email: frd@frdsolar.com



### WEBSITE

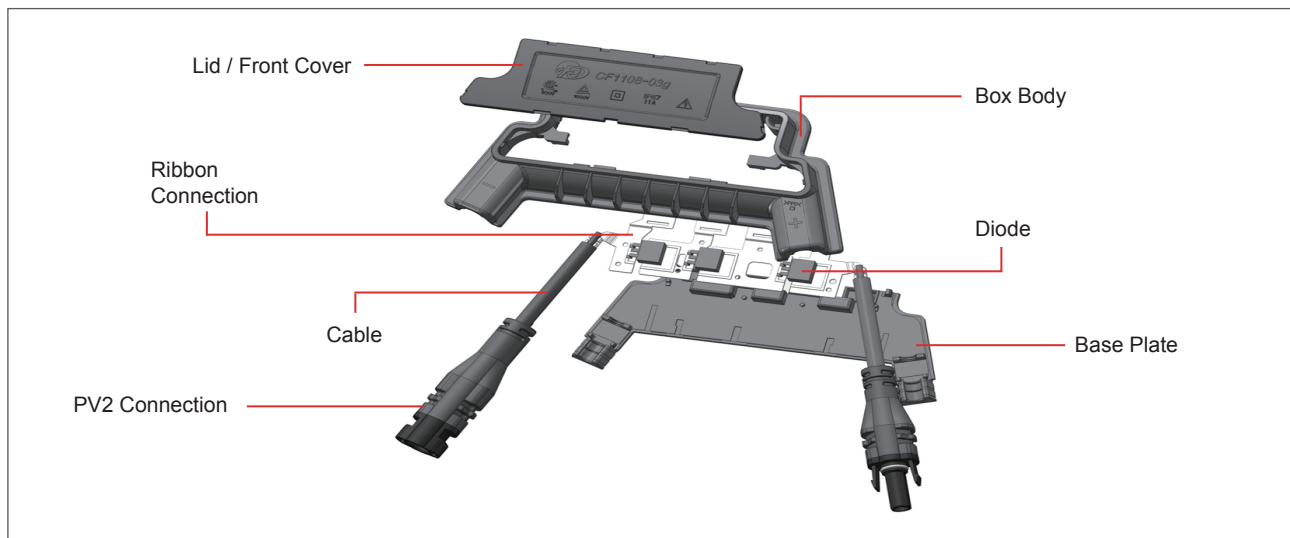
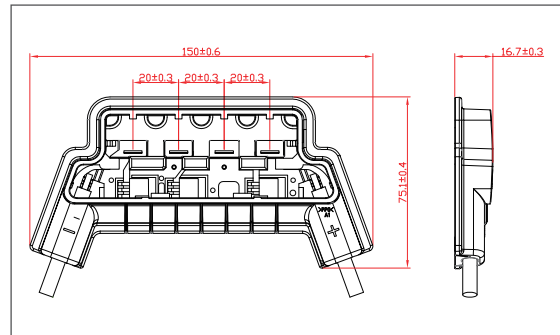
[www.frd solar.com](http://www.frd solar.com)



## TECHNICAL DATA

Ambient Temperature Range	-40 C to 85 C
Storage Temperature Range	-40 C to 85 C
Cooling Method	Potting
Dimensions (with cover)	See the drawing
Degree of protection	IP 67
Contact Material	Copper, T2 tin plated, H62
Insulation Material	PPE + PS
Flame class	UL 94 V-0
TUV Certified	R 50289227
CSA Certified	262886
UL Certified	E354710

## DIMENSION DRAWING



Part number	CF1108-03g	CF1108-03gb	CF1108-03ge
Diode Type	SB3045DY / GF3045MG	SB3045DY / GF3045MG	SB3045DY / GF3045MG
Number of Bypass Diode	3	3	3
Number of Bus Ribbons	4	4	4
Connection of Bus Ribbons	Soldering / Welding	Soldering / Welding	Soldering / Welding
Diode Junction Temp Max Under Forward Current	200 C	200 C	200 C
Current Rating	15 A	15 A	15 A
Max Reverse Current	30 A	30 A	30 A
Rated String Voltage	1000 V (IEC) 600 V (UL)	1000 V (IEC) 1000 V (UL)	1500 V (IEC) 1500 V (UL)
Max Withstand Voltage	12 kV	12 kV	16 kV
Cabling Type	PV1-F / PV Wire	PV1-F / PV Wire	H1Z2A2-K / PV Wire
Cable Length	1.0 m / Customized	1.0 m / Customized	1.0 m / Customized
Connector	PV2 / Customized	PV2 / Customized	PV2 / Customized
Wire Cross Section	1×4.0 mm <sup>2</sup> , 12 AWG	1×4.0 mm <sup>2</sup> , 12 AWG	1×4.0 mm <sup>2</sup> , 12 AWG
Outer Cable Diameter	6.3 ± 0.2 mm	6.6 ± 0.2 mm	6.4 ± 0.2 mm
Approvals	TUV / CSA / UL	TUV / CSA / UL	TUV / CSA

The specification and key features described in this datasheet may deviate slightly and are not guaranteed. Due to on-going innovation, research and product enhancement, Friends Technology reserves the right to make any adjustment to the information described herein at any time without notice. Please always obtain the most recent version of the datasheet which shall be duly incorporated into the binding contract made by the parties governing all transactions related to the purchase and sale of the products described herein.